

## AKTICOP S

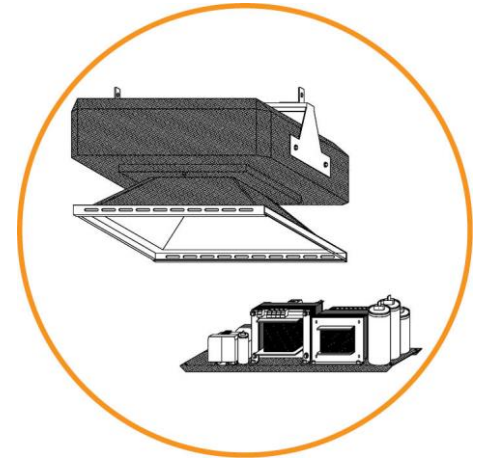
### Installation version E1

#### MH-INSTANT COPY LAMP

Worldwide experienced instant metal-halide copy lamp with high optical efficiency as built-in version.

This copy lamp is meant for the precise exposure of UV sensitive films and emulsions for stencils, printed circuit boards, print plates and daylight films.

Also available as installation version E2 (see price list No. 02A/19).



#### Technical data:

Power	1500 W, 3500 W or 5500 W
Standard version	With separate power supply on mounting plate, <u>without</u> vacuum pump. Low noise ventilator. Connectors for external operating desk and light integrator AKTITRON. Electronic hot ignition to allow instant exposure. Protective glass pane, heat resistant, UV-B absorbing. Inclusive 1 ozone free tube with universal spectrum for diazo and SBQ.
Features	UV spectrum is fully activated in a few seconds. Easy change of tube at reflector. Flat reflector housing.
Colour	RAL 5002, blue
Manual instruction	German or English

#### Accessory/Option

- Light integrator AKTITRON S16E (recessed version / built-in version), with photo cell, UV filter, 15 programs and 1 vacuum program, measurement of UV intensity

Article No.	Description
AS02012	AKTICOP E1 1500 S / 230 V, 50 Hz
AS02022	AKTICOP E1 3500 S / 400 V, 50 Hz
AS02032	AKTICOP E1 5500 S / 400 V, 50 Hz
Accessories	
MA11046	Light integrator AKTITRON S16E, with photo cell (recessed version / built-in version)
AS02000-50	Transformer for different main power supply / 3500 S
AS02000-51	Transformer for different main power supply / 5500 S
7095002	Colour if different from RAL 5002 (e.g. white, RAL 1013)
AS02012-95	Packing overland freight
AS02012-96	Packing sea freight